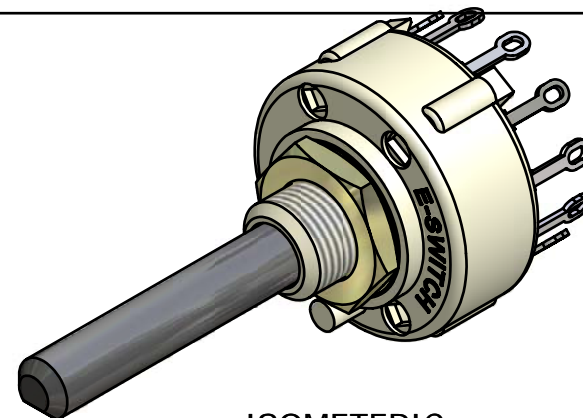
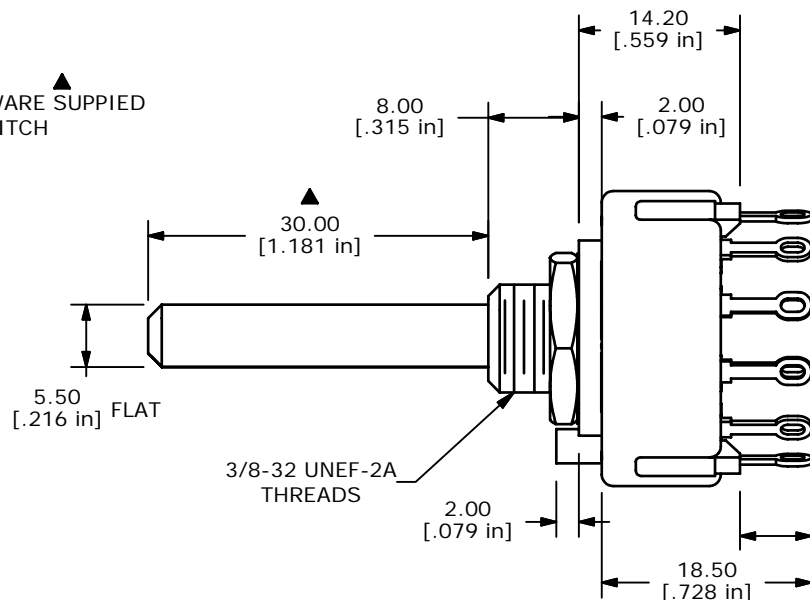
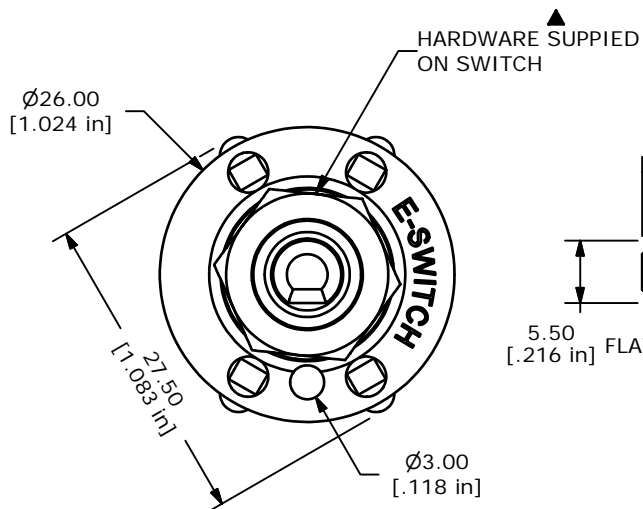
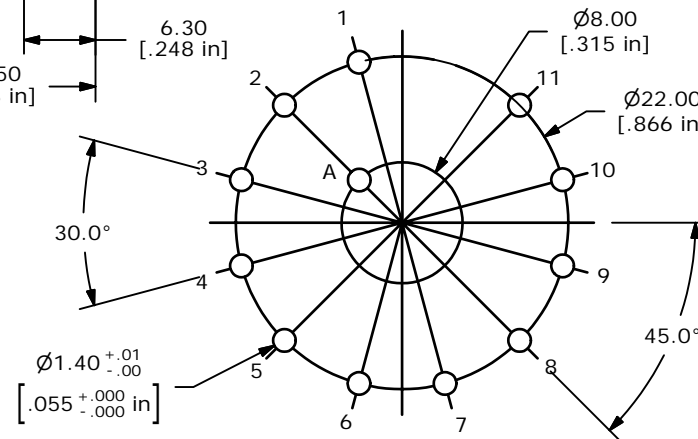
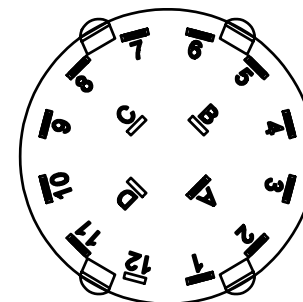


CONTACT CONFIGURATION
TIMING (BBM) NON-SHORTING



ISOMERIC



P.C.B MOUNTING LAYOUT

- NOTE:
1. ALL DIMENSIONS IN MM[INCH].
 2. GENERAL TOLERANCE: X.X±0.4
X.XX±0.25
 3. TERM. NOS. FOR REFERENCE ONLY.
 4. CONTACT MATERIAL: SILVER
 5. CONTACT RATING: 300mA @ 125 VAC
 6. OPERATING FORCE: 800± 300 gm-cm
 7. OPERATING TEMP: -30°C TO 85°C
 - ▲ 8. CIRCUIT SP: 11 POSITION 30° INDEX.
 9. DIELECTRIC STRENGTH: 500VAC FOR 1 MIN.
 - ▲ 10. HARDWARE SUPPLIED ON SWITCH:
STOP RING, LOCKWASHER, HEXNUT
 11. ▲ DENOTES CRITICAL PARAMETER.



A	15329	RELEASED FOR PRODUCTION	9/28/05	PH
REV	PCR NO	DESCRIPTION	DATE	BY

TITLE KC51A30.001NLS				
SCALE	DATE	DR	DWG	REV
1.5:1	9/28/2005	PH	G510358	A

THE INFORMATION CONTAINED IN THIS DOCUMENT IS PROPRIETARY TO E-SWITCH AND IS NOT TO BE COPIED OR TRANSFERRED